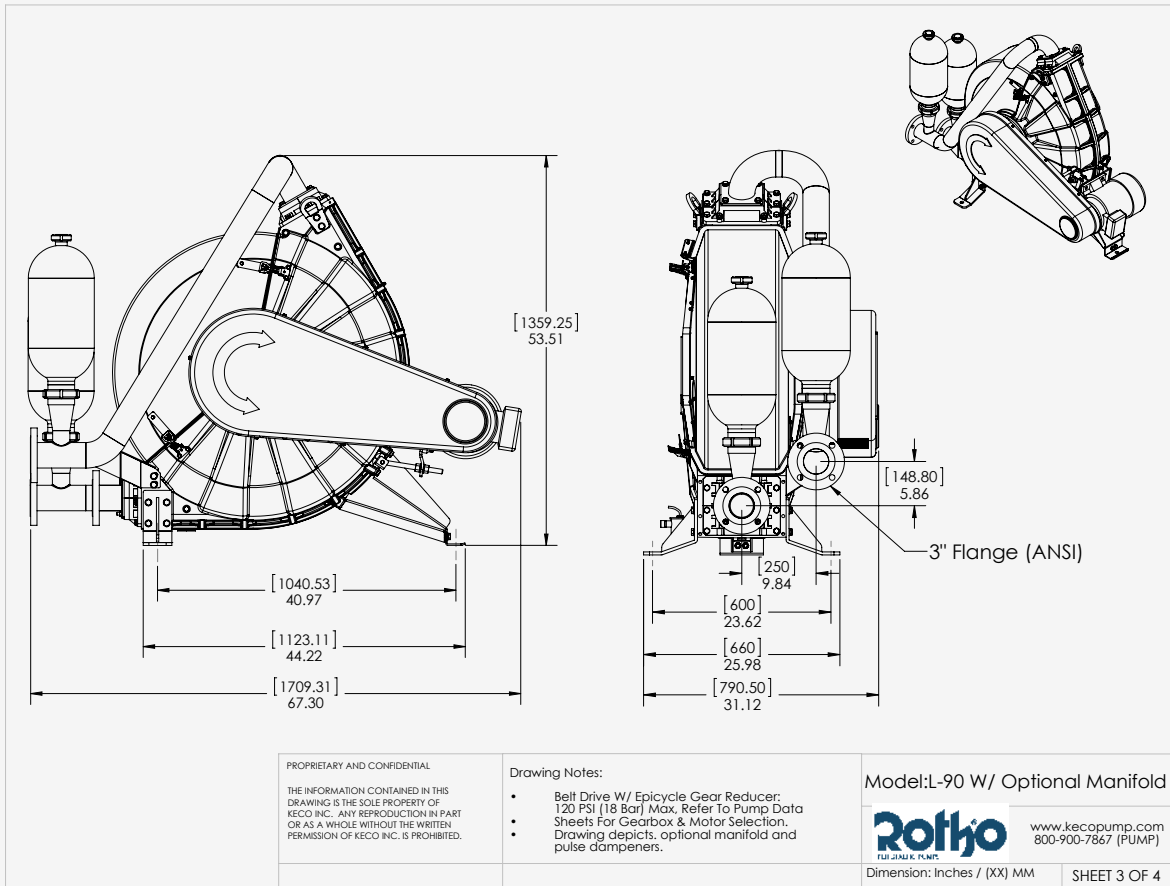


L90



PROPRIETARY AND CONFIDENTIAL
THE INFORMATION CONTAINED IN THIS DRAWING IS THE SOLE PROPERTY OF KECO INC. ANY REPRODUCTION IN PART OR AS A WHOLE WITHOUT THE WRITTEN PERMISSION OF KECO INC. IS PROHIBITED.

Drawing Notes:

- Belt Drive W/ Epicycle Gear Reducer: 120 PSI (18 Bar) Max. Refer To Pump Data Sheets For Gearbox & Motor Selection.
- Drawing depicts, optional manifold and pulse dampeners.

Model:L-90 W/ Optional Manifold



www.kecopump.com
800-900-7867 (PUMP)

Dimension: Inches / (XX) MM SHEET 3 OF 4

5

4

3

2

1