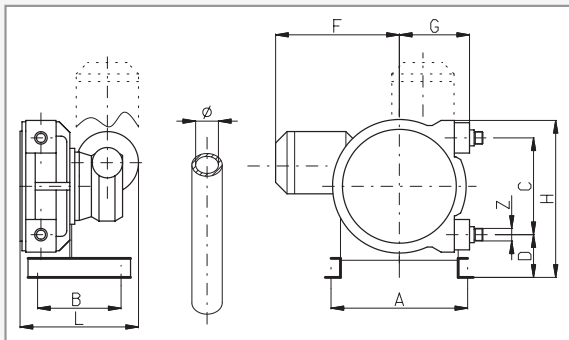
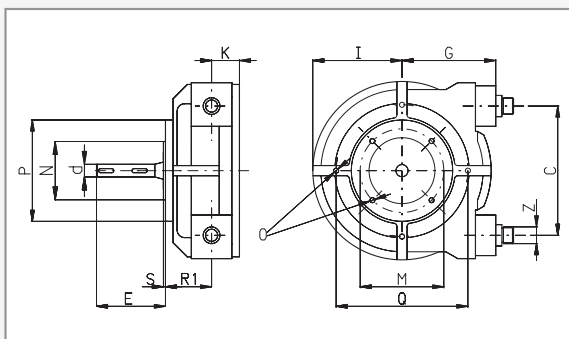


S26



DIMENSIONS												
MOD.	Ømm	Z	LT/RPM	MAXBAR	A mm	B	C	D	F	G	H	L
PSF1	26	1" 1/4 NPT	0.380	8	350	220	255	108	370	185	416	315



DIMENSIONS												
MOD.	Z	E	D	M	N	P	O	I	R1	Q	S	K
PSF1	1" 1/4 NPT	136	25	150	115	200	M10	176	93	260	4	53

Low Pressure						
RPM	Gal/H	Lt/H	Pressure		HP	Kw
			PSI	BAR		
18	105	398	58	4	0.5	0.37
22	129	488	58	4	0.5	0.37
27	159	600	58	4	0.5	0.37
39	230	869	58	4	0.5	0.37
46	271	1026	58	4	0.5	0.37
58	342	1295	58	4	1.0	0.75
73	431	1632	58	4	1.0	0.75
92	544	2058	58	4	1.0	0.75
117	692	2618	58	4	1.0	0.75
146	863	3268	29	2	1.5	1.1
175	1035	3918	29	2	1.5	1.1

High Pressure						
RPM	Gal/H	Lt/H	Pressure		HP	Kw
			PSI	BAR		
18	103	390	116	8	0.5	0.37
22	126	478	116	8	0.5	0.37
27	155	588	116	8	1.0	0.75
39	225	851	116	8	1.0	0.75
46	266	1005	116	8	1.0	0.75
58	335	1269	116	8	1.0	0.75
73	422	1598	116	8	1.5	1.1
92	532	2016	116	8	1.5	1.1
117	678	2565	87	6	1.5	1.1

Variable Speed Low Pressure									
RPM		Gal/H		Lt/H		Pressure		HP	Kw
Min	Max	Min	Max	Min	Max	PSI	BAR		
1.9	10	10	58	37	219	58	4	1	0.8
2.4	12	13	70	49	264	58	4	1	0.8
3.0	15	16	87	62	331	58	4	1	0.8
4.2	21	24	123	89	466	58	4	1	0.8
5.0	25	28	147	107	555	58	4	1	0.8
6.3	32	36	188	136	712	58	4	1	0.8
7.9	40	45	236	172	892	58	4	1	0.8
10.0	50	58	295	219	1116	58	4	1	0.8
12.7	63	74	372	280	1407	58	4	1	0.8
15.8	79	92	467	349	1766	44	3	1	0.8
19.0	95	111	561	421	2125	36	2.5	1	0.8
27.1	136	159	804	602	3044	15	1	1	0.8

Variable Speed High Pressure									
RPM		Gal/H		Lt/H		Pressure		HP	Kw
Min	Max	Min	Max	Min	Max	PSI	BAR		
1.9	10	10	57	37	215	116	8	1	0.8
2.4	12	13	68	48	258	116	8	1	0.8
3.0	15	16	86	61	324	116	8	1	0.8
4.2	21	23	120	87	456	116	8	1	0.8
5.0	25	28	144	105	544	116	8	1	0.8
6.3	32	35	184	133	698	116	8	1	0.8
7.9	40	44	231	168	873	87	6	1	0.8
10.0	50	57	289	215	1093	87	6	1	0.8
12.7	63	72	364	274	1379	58	4	1	0.8

